

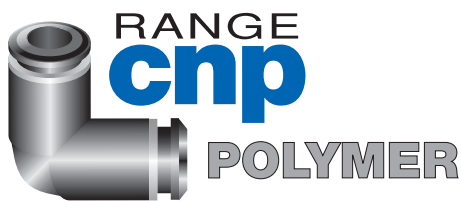
conex



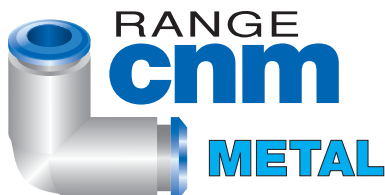
POLYMER PUSH FITTINGS FOR TUBE



Full range of efficient couplings



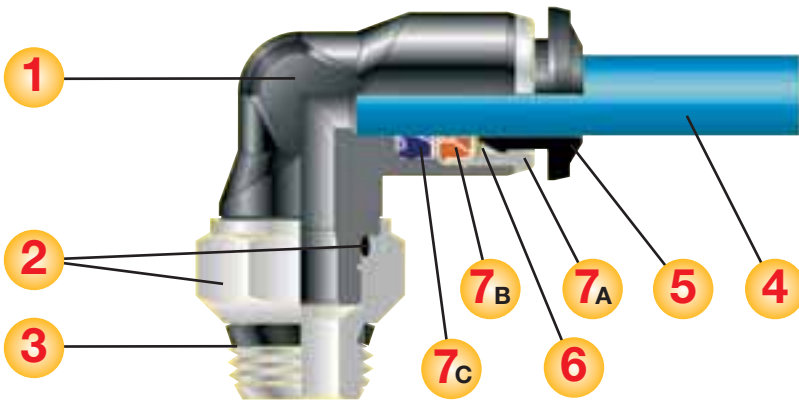
- New-generation polymer design: lightweight, small-sized, rugged, and easy to fit.
- Broad range with a large selection of shapes, threads and diameters.
- Smaller: polymer design and short tapered or parallel threads with seals



- Nickel-plated brass design to resist impacts and the toughest conditions.
- Straight screw machined couplings, brass elbows and tee pieces.
- Precision machined.



- Stainless steel design: suitable for aggressive environments and food processing.
- Swivelling parallel elbows and tee pieces.



Pressure ratings

Min.: - 0.99 bar • Max.: 15 bar
Low vacuum

Temperature

Min.: - 20° C • Max.: + 80°C

Threads

1/8" to 1/2" Gas - M3 and M5 metric
Tapered - Parallel

Tube suitability:

Polyamide 6 • Polyamide 11 • Polyethylene
Polyurethane 98 Shore D minimum

Suitability

Compressed air - Inert gas - Water

1 RANGE

An extensive range:

- Light, compact polymer: CNP coupling
- Nickel-plated brass, impact-resistant: CNM coupling
- Stainless steel, for harsh environments: CNX coupling

2 INSTALLATION

Safe, easy installation

- nickel-plated brass or stainless steel hex bush
- NBR O-ring between bush and body

3 QUICK FITTING

Immediate seal

Conical or cylindrical thread, nickel-plated brass or stainless steel, with sealing gasket

4 CONNECTING

Easy to connect

Connect by simply pushing the tube into the fitting

5 DISCONNECTING

Easy handling

Disconnecting acetal resin collet
Immediate disconnection by pressing collet then simply remove tube from fitting

6 SECURITY

Safe, secure tube fit

Stainless steel 304 lugs
Excellent grip on outside of tube

7 LEAKFREE

- A** - Nickel-plated brass or stainless steel column
- B** - Technopolymer (CNP) or polyamide (CNM) seal support
- C** - NBR (CNP - CNM) or Viton (CNX) lip seal

RESISTANCE

Resists vibrations and primary vacuum

Perfect connection even in tough conditions (pressure bursts, vibrations, etc.)

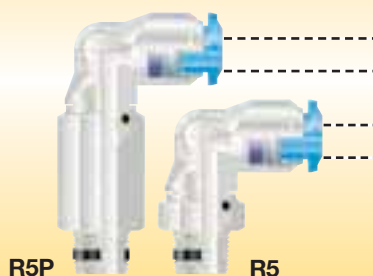
Easy installation

Straight male studs fit quickly and easily simply with a Allen key.



90° swivelling tapered male elbow extension

- Optimised elbow outlet connections
- Centralised elbow connections



Small tapered straight male stud

- Easy to install in tight spaces
- Small size

